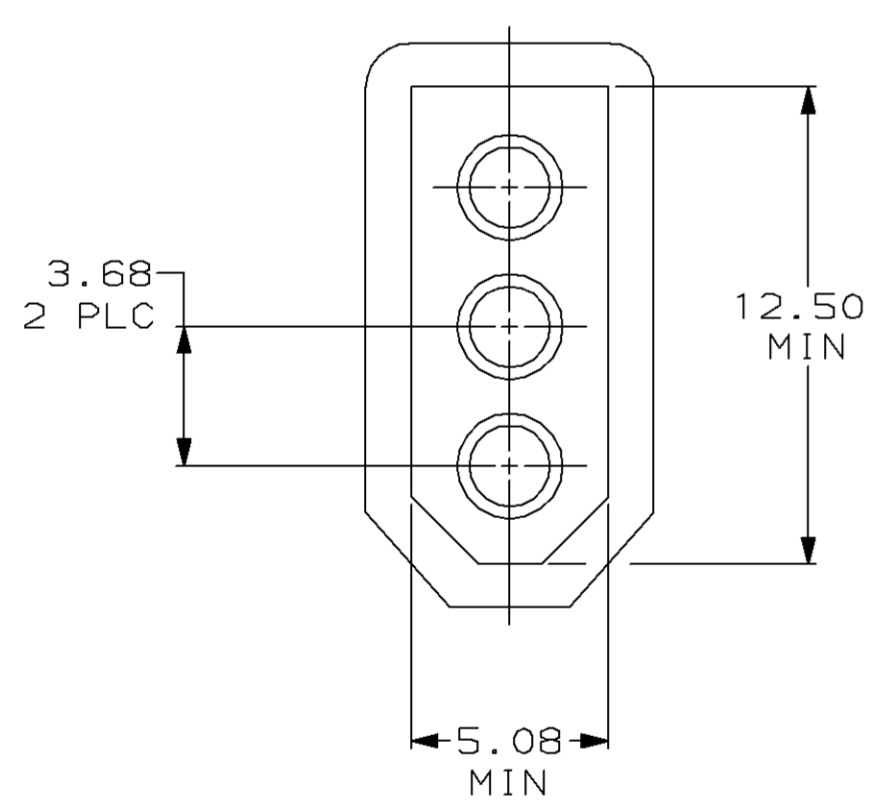
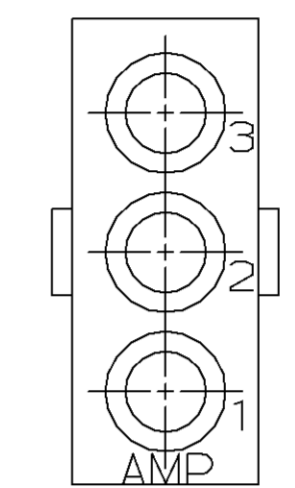
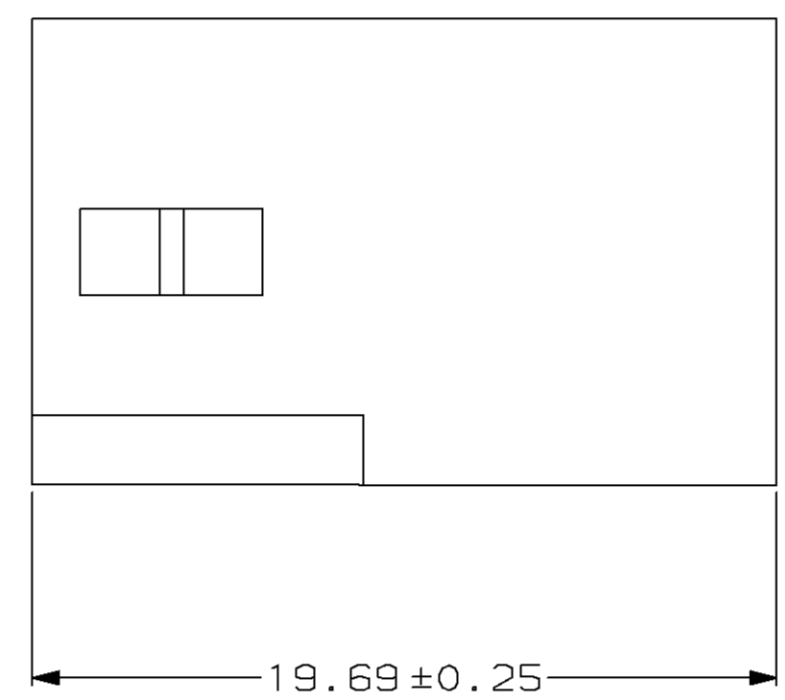
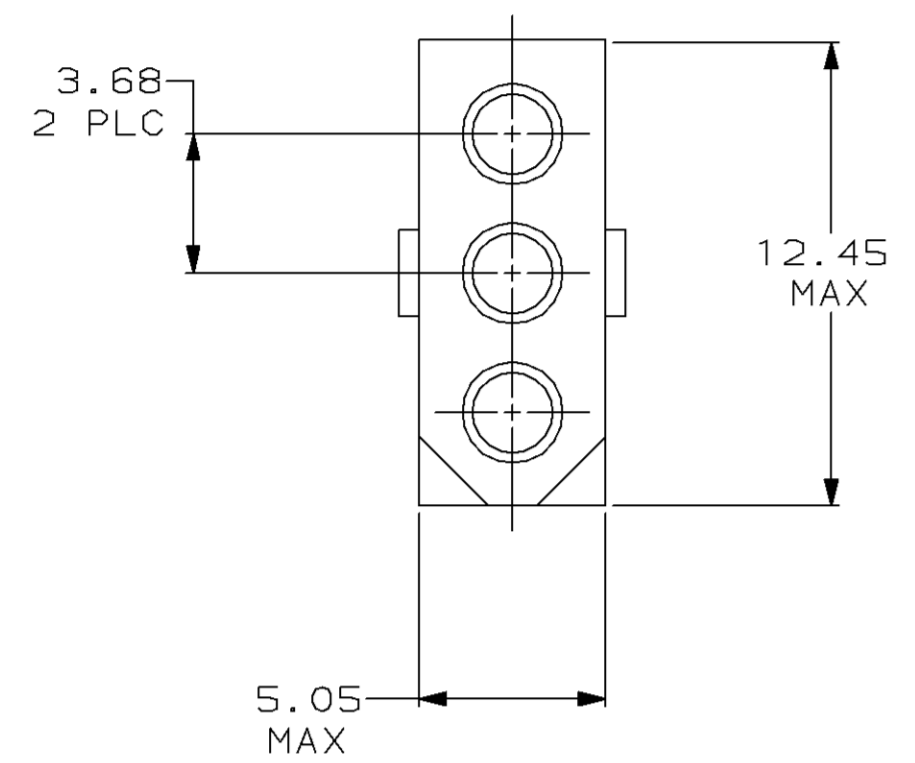
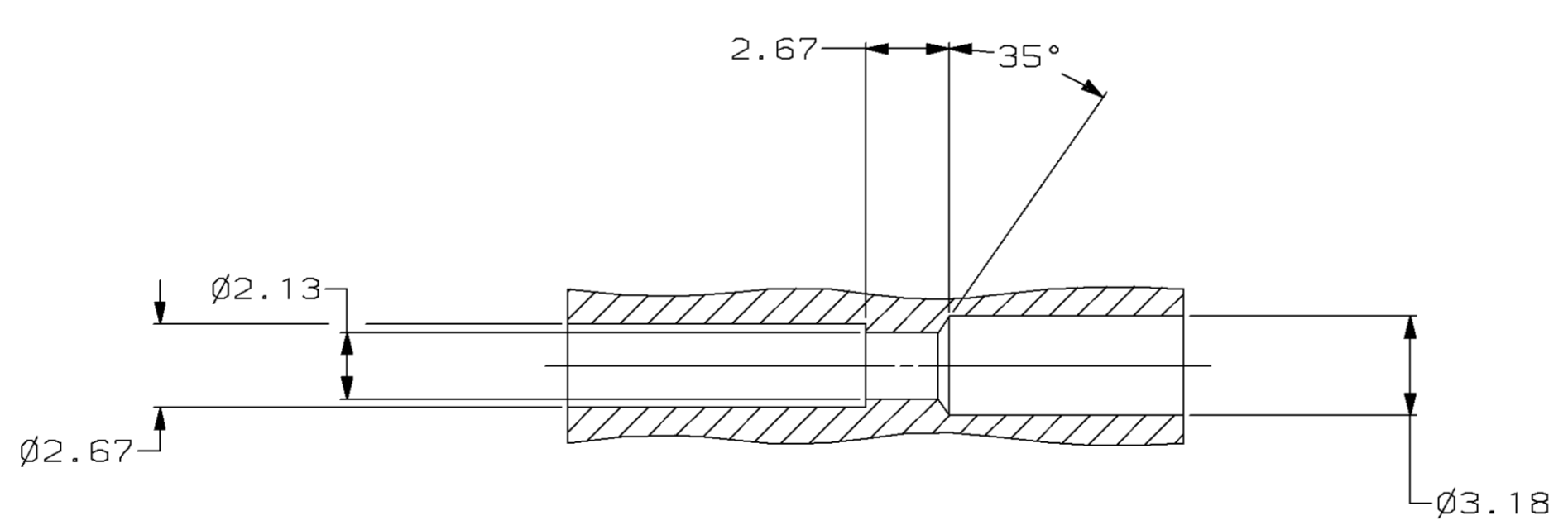


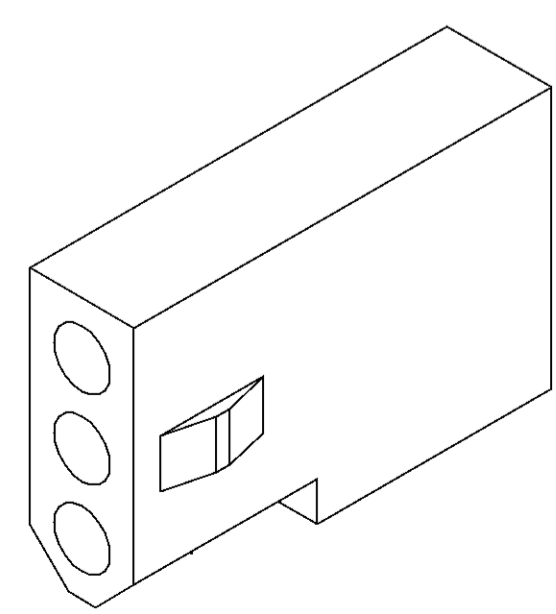
| LOC | | DIST | | P | | F | | ZONE | | LTR | | REVISIONS | | DATE | APPD | |
|-----|----|------|--|---|--|---|--|------|--|-----|--|-----------|---|-----------------------|---------|----|
| CM | 53 | | | | | | | | | | | | B | REV & REDWN PER CM-11 | 11-4-93 | KW |



MATING CONNECTOR INTERFACE



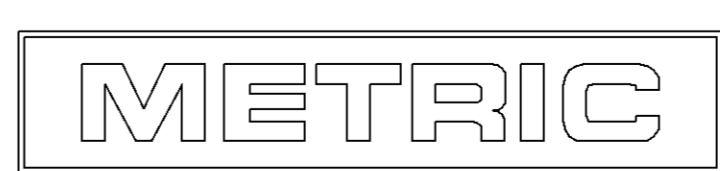
TYPICAL RECEPTACLE CAVITY SECTION
(DIMENSIONS REFERENCE ONLY)



3-DIMENSIONAL MODEL
NTS

| MM | IN | MM | IN |
|------|------|-------|------|
| 3.18 | .125 | 19.69 | .775 |
| 2.67 | .105 | 12.50 | .492 |
| 2.13 | .084 | 12.45 | .490 |
| 1.57 | .062 | 5.08 | .200 |
| 0.25 | .010 | 5.05 | .199 |
| 0.13 | .005 | 3.68 | .145 |

CONVERSION TABLE



THIS DRAWING IS A CONTROLLED DOCUMENT FOR AMP INCORPORATED. IT IS SUBJECT TO CHANGE AND THE CONTROLLING ENGINEERING ORGANIZATION SHOULD BE CONTACTED FOR THE LATEST REVISION.

| | | | | | |
|--|-------------------------|---------------------------|---|--------------------|------------------------|
| DO NOT SCALE PRINT. UNLESS SPECIFIED DIMENSIONS IN mm [INCHES] TOLERANCES ON: 2 PLC DEC ± 0.13 3 PLC DEC ± - ANGLES ± 1°0' | | DR 11-4-93 K. WHITAKER | 770333-1 PART NO | | |
| MATERIAL NYLON, UL 94V-2 NATURAL | APPD 11-4-93 C. CASH | CHK 11-4-93 R. SWING | AMP Incorporated Harrisburg, PA 17105-3608 | | |
| FINISH - | APPD 11-4-93 C. CASH | APPD 11-4-93 C. CASH | RECEPTACLE, 3 CIRCUIT, .062 PIN AND SOCKET | | |
| WEIGHT - | APPLICATION SPEC - | PRODUCT SPEC - | SIZE D | CAGE CODE 00779 | DRAWING NO C-770333 |
| | | | SCALE 5:1 | SHEET 1 OF 1 | |